

Product data sheet

Modular HDMI keystone socket , unshielded



Reference number

HDMI-01

Modular, 180 degree RJ45, HDMI "keystone jack 2.0 version" socket, unshielded

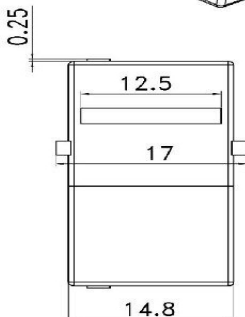
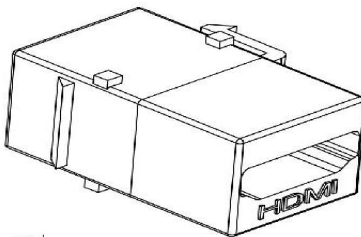
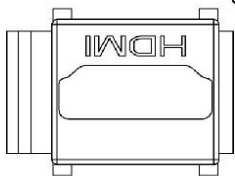
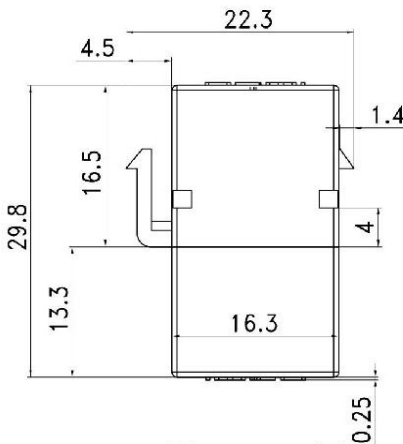
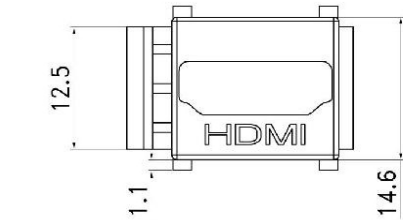
HDMI socket:

- no effect on the signal and therefore supports all high speed HDMI features, including 3D Video, 4K video and high definition multichannel compressed audio;
- the design of double HDMI headers, which is convenient for using (female-female);

EAN code:

HDMI-01.B - White, 4770025856055, 10pc. package 4770025960578

HDMI-01.J - Black, 4770025960585, 10pc. package 4770025960592



Technical specifications, HDMI:

2.0 standard

HDMI™ type A 2.0 (4K @ 50/60 Hz, Full HD @ 48Hz 3D, HDR Video)

Electrical

Voltage rating AC 125V
 Current rating 1.5 AMPS
 Insulation resistance 500 MΩ Min
 Withstand Voltage: DC 1000V RMS 50-60Hz 1 Min
 Contact resistance 20MΩ Min"

Mechanical

Insertion force 8 pins 9N
 Retention strength 70N between jack and plug

Contact material
 Wire

Gold-plated over nickel
 T=0.35mm phosphor bronze alloy 0.45 dia
 AWG 24-26

Protection

IP 20