

Product data sheet

Modular HDMI and TV socket, unshielded



Reference number

HDMI+TV-002-01

Modular HDMI and TV antenna socket, unshielded

HDMI socket:

- no effect on the signal and therefore supports all high speed HDMI features, including 3D Video, 4K video and high definition multichannel compressed audio;
- the design double HDMI headers, which is convenient for using (female-female);

TV socket:

- for DVB-T and satellite installation (with individual demodulator);
- tv antenna connection socket: "F" coaxial RF connector (RG-6 coax type cable) with supporting frame, screw fixing only.

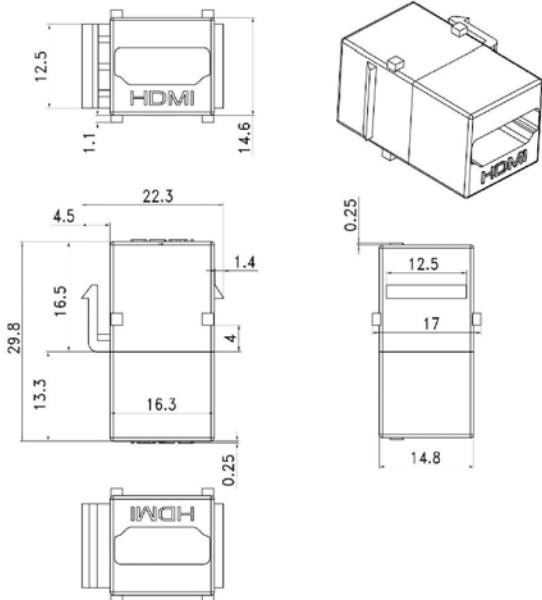
Polycarbonate plastic (scratch-proof, PC). Surface sprayed manually by Alpcryl Emaillack paint, (developed in Switzerland), and laced with matt lack. Paint has high UV resistance, is flame resistant according to DIN EN13501-1 and chemically resistant according to DIN 68861/1B; Consider bending radius and various plug types. Ensure sufficient installation space.

Centre plates colour, EAN code:

HDMI+TV-002-01.R/ON31 - mat brown 4770025967959; package barcode 4770025967966;

HDMI+TV-002-01.R/ONC - mat cream 4770025000809; package barcode 4770025000816;

HDMI+TV-002-01.R/ON59 - mat black 4770025001745; package barcode 4770025001752;



Technical specifications

HDMI:

Electrical

2.0 standart

Voltage rating AC 125V

Current rating 1.5 AMPS

Insulation resistance 500 MΩ Min

HDMI™ type A 2.0 (4K @ 50/60 Hz, Full HD @ 48Hz 3D, HDR Video)

Contact material

Wire

gold-plated phosphor bronze 0.45 dia AWG 24-26

TV:

1x"F" coaxial RF connector (RG-6 coax type cable)

Holder for connector / module

Protection

Dept

Metal mounting plate

IP 20

31mm