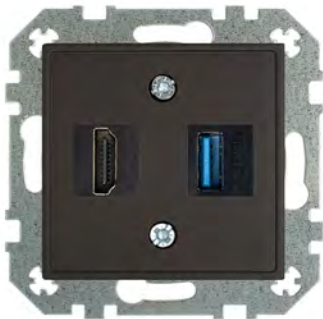


Product data sheet

Modular HDMI and USB socket 180 degree, unshielded



Reference number

HDMI+USB-002-01

Modular RJ45 HDMI and USB keystone socket, unshielded

HDMI socket:

- no effect on the signal and therefore supports all high speed HDMI features, including 3D Video, 4K video and high definition multichannel compressed audio
- the design double HDMI headers, which is convenient for using (female-female)

USB socket:

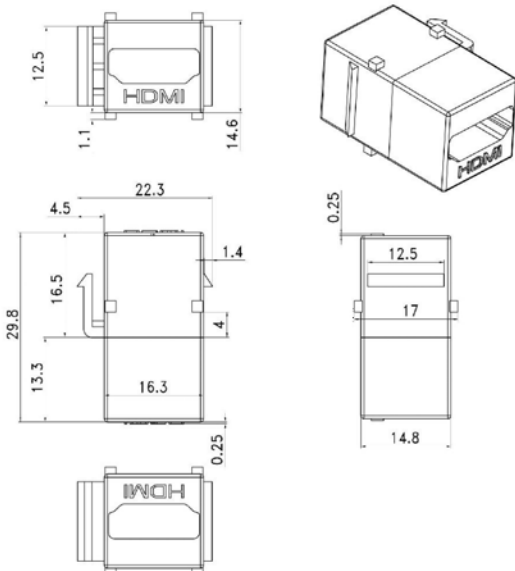
- female-female socket

with supporting frame, screw fixing only

Polycarbonate plastic (scratch-proof, PC). Surface sprayed manually by Alpacryl Emailack paint, (developed in Switzerland), and laced with matt lack. Paint has high UV resistance, is flame resistant according to DIN EN13501-1 and chemically resistant according to DIN 68861/1B. Consider bending radius and various plug types. Ensure sufficient installation space.

Centre plates colour, EAN code:

HDMI+USB-002-01.R/ON31 - mat brown 4770025967973; package barcode 4770025967980;
 HDMI+USB-002-01.R/ONC - mat cream 4770025000823; package barcode 4770025000830;
 HDMI+USB-002-01.R/ON59 - mat black 4770025001769; package barcode 4770025001776;



Technical specifications

HDMI:

Electrical

2.0 standart

Voltage rating AC 125V

Current rating 1.5 AMPS

Insulation resistance 500 MΩ Min

HDMI™ type A 2.0 (4K @ 50/60 Hz, Full HD @ 48Hz 3D, HDR Video)

Contact material

gold-plated phosphor bronze 0.45 dia

Wire

AWG 24-26

USB:

3.0 High Speed

Holder for connector / module

Metal mounting plate

Protection

IP 20

Dept

31mm