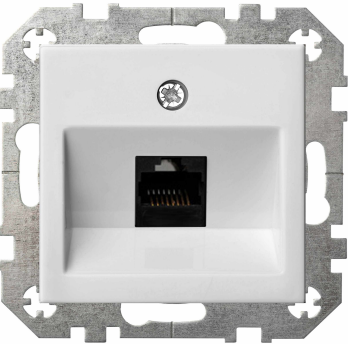


## Product data sheet

### Modular jack socket, cat. 6a, unshielded



Reference number

IKL-001-01

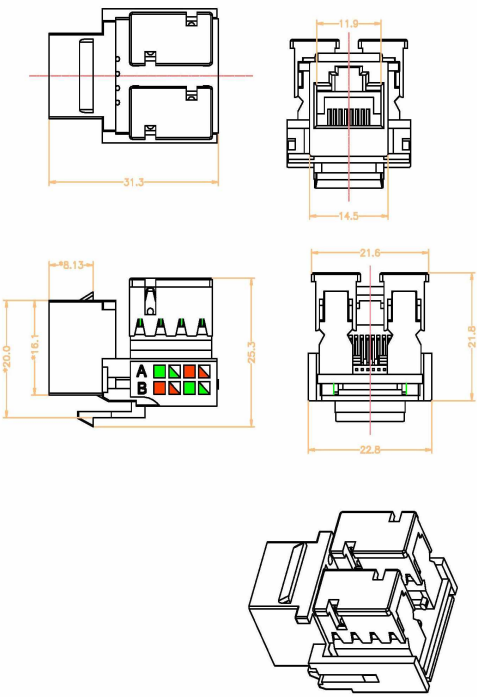
Modular jack socket, cat. 6a, unshielded

with LSA connection terminals  
 RJ 45, category 6a, 1000 Mbps, 10 Gbps  
 Metal supporting frame, for screw mounting

Polycarbonate plastic (scratch-proof, PC), glossy

Centre plates colour, EAN code:

- IKL-001-01.E/B - White, 4770025869758, 10pc. package 4770025870242
- IKL-001-01.E/S - Sandy, 4770025870716, 10pc. package 4770025871188
- IKL-001-01.E/R - Brown, 4770025873335, 10pc. package 4770025873427
- IKL-001-01.E/Mt - Metallic, 4770025873625, 10pc. package 4770025873670
- IKL-001-01.E/J - Black, 4770025873380, 10pc. package 4770025962800
- IKL-001-01.E/Ch - Champagne, 4770025875179, 10pc. package 4770025875186



Technical specifications:

Corresponds to Cat. 6a cable acc. to  
 Connector type (A)  
 Holder for connector / module  
 Poles  
 Protection  
 Storage/transport temperature  
 Customs tariff number

ISO / IEC 11801  
 RJ 45  
 Metal mounting plate  
 8  
 IP 20  
 -20 ... +40 °C  
 8536699008