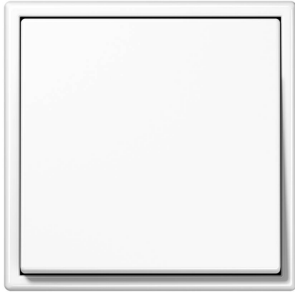
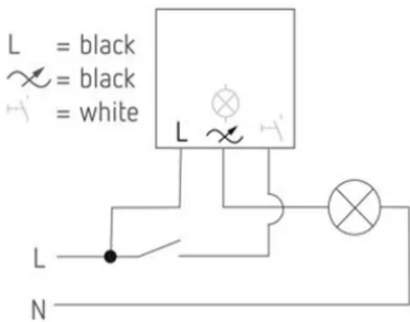
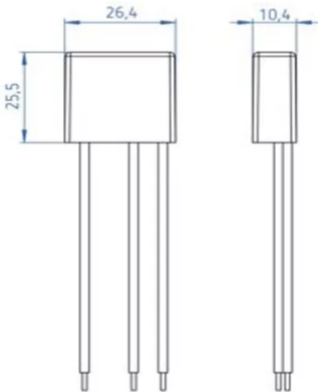


## Product data sheet

### Push button switch dimmer, LED



trim 100



#### Reference number

ISR-007-01.MODERN /trim 100

Push-button switch - dimmer set (IUI1.10-203-01 push-button + trim 100 module), without frame

incremental control without end position  
memory function, 100 % on double-click, adjustable minimum brightness

#### Intended use

- Switching and dimming of lighting
- Operation with suitable cover
- Installation in flush box according to DIN 49073, depth minimum- 62mm

The trim 100 module is one of the world's smallest flush-mounted dimmers for different light sources. The device is not much bigger than an SD card and does not require a neutral conductor. It can be installed quickly and easily behind a standard push-button and is therefore perfect for retrofitting existing systems. The 2-wire flush-mounted dimmer has a smart memory function; the last set light value is saved and automatically dimmed to this value the next time it is switched on. The connected light source can be switched back to 100 % with a simple double-click on the push-button.

The minimum brightness can also be set to prevent LED lamps from flickering.

- Flush-mounted universal dimmer for R, C loads with automatic load detection
- Operation via push-button switch
- Optimised settings for LEDs and incandescent lamps (minimum dimming level setting)
- Simple flush-mounted installation thanks to particularly small housing
- Ideal for dimmable LEDs, halogen lamps and incandescent lamps
- Memory function saves the last set light value
- Adjustable minimum brightness

#### Central plates colour, barcode

ISR-007-01.M/WM - White matt, 4770025004036, 10pc. package 4770025004043;  
ISR-007-01.M/SM - Sandy matt, 4770025005378, 10pc. package 4770025005385;  
ISR-007-01.M/CH - Champagne, 4770025004678, 10pc. package 4770025004685;  
ISR-007-01.M/SM - Black matt, 4770025005996, 10pc. package 4770025006009.

#### Technical specifications:

Rated voltage, frequency AC 230 V +/-10% / 50 Hz  
Stand-by power approx. 0.2 W  
Ambient temperature -10 ... +45 °C

Connected load at 25 °C:  
Incandescent/ halogen lamp hold 2-150 W  
LED load 2-150 W  
LED strip lights NO

Fuse types Overcurrent protection, temperature protection, short-circuit protection.  
Low-Voltage Directive 2014/35/EU  
RoHS Directive 2011/65/EU  
Customs tariff number 853650800