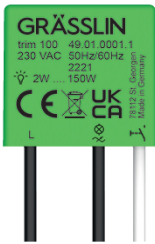
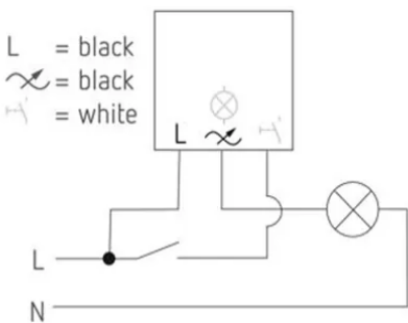
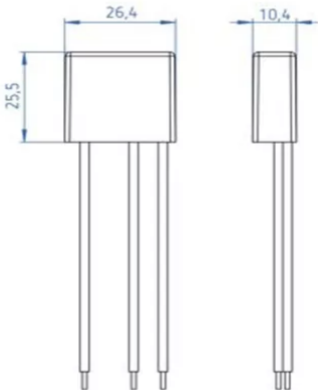


Product data sheet

Push button switch dimmer, LED



trim 100



Reference number

ISR-007-01.RETRO /trim 100

Push-button switch - dimmer set (IJJ1.10-203-01 push-button + trim 100 module), without frame

incremental control without end position

memory function, 100 % on double-click, adjustable minimum brightness

Intended use

Polycarbonate plastic (scratch-proof, PC). Surface sprayed manually by Alpocryl Emallack paint, (developed in Switzerland), and laced with matt lack. Paint has high UV resistance, is flame resistant according to DIN EN13501-1 and chemically resistant according to DIN 68861/1B.

- Switching and dimming of lighting
- Operation with suitable cover
- Installation in flush box according to DIN 49073, depth minimum- 62mm

The trim 100 module is one of the world's smallest flush-mounted dimmers for different light sources. The device is not much bigger than an SD card and does not require a neutral conductor. It can be installed quickly and easily behind a standard push-button and is therefore perfect for retrofitting existing systems. The 2-wire flush-mounted dimmer has a smart memory function; the last set light value is saved and automatically dimmed to this value the next time it is switched on. The connected light source can be switched back to 100 % with a simple double-click on the push-button.

The minimum brightness can also be set to prevent LED lamps from flickering.

- Flush-mounted universal dimmer for R, C loads with automatic load detection
- Operation via push-button
- Optimised settings for LEDs and incandescent lamps (minimum dimming level setting)
- Simple flush-mounted installation thanks to particularly small housing
- Ideal for dimmable LEDs, halogen lamps and incandescent lamps
- Memory function saves the last set light value
- Adjustable minimum brightness

Central plates colour, barcode

ISR-007-01.R/ON31 - mat brown, 4770025967577; package barcode 4770025967584;

ISR-007-01.R/ONC - mat cream, 4770025000427; package barcode 4770025000434;

ISR-007-01.R/ON59 - mat black, 4770025001363; package barcode 4770025001370;

Technical specifications:

Rated voltage, frequency AC 230 V +10% / 50 Hz
 Stand-by power approx. 0.2 W
 Ambient temperature -10 ... +45 °C

Connected load at 25 °C:
 Incandescent/ halogen lamp hold 2-150 W
 LED load 2-150W
 LED strip lights NO

Fuse types Overcurrent protection, temperature protection, short-circuit protection.
 Low-Voltage Directive 2014/35/EU
 RoHS Directive 2011/65/EU

Customs tariff number 853650800