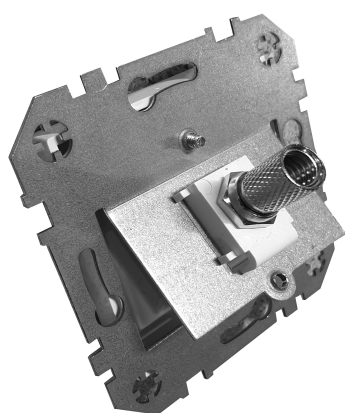


TV socket, with "F type connector"



Reference number

ITVL-1-01.M

TV socket, with the "F type conector", without frame

for DVB-T and satellite installation (with individual demodulator)
external connection- coaxial plug IEC 60169
1 mm. thickness metal supporting frame, for screw mounting;
Fits to all Modern serie frames;

Centre plates colour, EAN code:

ITVL-1-01.M/WM - White mat , 4770025006979; 10p. package barcode 4770025006986;
ITVL-1-01.M/SM - Sandy mat , 4770025006993; 10p. package barcode 4770025007006;
ITVL-1-01.M/CH - Champagne, 4770025007013; package barcode 4770025007020;
ITVL-1-01.M/BM - Black mat , 4770025007037; 10p. package barcode 4770025007044;

Technical specifications:

Connectors	- external connection coaxial plug IEC 60169 - internal connection F socket IEC 60169-2
Impedance	75 ohms
Frequency range	5 - 2400 MHz
Holder for connector / module	Metal mounting plate
Attenuation	0 dB
Protection	IP 20
Storage/transport temperature	-20 ... +40 °C
Customs tariff number	8536699008
Dimensions, mm (HxWxD)	70x70x35