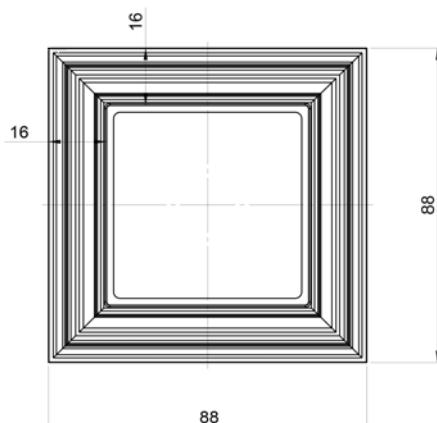


# Product data sheet

## 1-5 place frames, Retro serie



### Reference number

K14-345-01, K14-345-02, K14-345-03, K14-345-04, K14-345-05

### Plastic frames, Retro serie, 1-5 places

#### Intended use

- for horizontal and vertical installation

#### K14-345-01, colour, EAN code:

R/ON31 - mat brown: individual barcode 4770025968093; package barcode 4770025968109;  
R/ONC - mat sandy: individual barcode 4770025000946; package barcode 4770025000311;  
R/ON59 - mat black: individual barcode 4770025001882; package barcode 4770025001899;

#### K14-345-02, colour, EAN code:

R/ON31 - mat brown: individual barcode 4770025968116; package barcode 4770025968123;  
R/ONC - mat sandy: individual barcode 44770025000960; package barcode 4770025000977;  
R/ON59 - mat black: individual barcode 4770025001905; package barcode 4770025001912;

#### K14-345-03, colour, EAN code:

R/ON31 - mat brown: individual barcode 4770025968130; package barcode 4770025968147;  
R/ONC - mat sandy: individual barcode 4770025000984; package barcode 4770025000991;  
R/ON59 - mat black: individual barcode 4770025001929; package barcode 4770025001936;

#### K14-345-04, colour, EAN code:

R/ON31 - mat brown: individual barcode 4770025968154; package barcode 4770025968161;  
R/ONC - mat sandy: individual barcode 4770025001004; package barcode 4770025001011;  
R/ON59 - mat black: individual barcode 4770025001943; package barcode 4770025001950;

#### K14-345-05, colour, EAN code:

R/ON31 - mat brown: individual barcode 4770025968178; package barcode 4770025968185;  
R/ONC - mat sandy: individual barcode 4770025001028; package barcode 4770025001035;  
R/ON59 - mat black: individual barcode 4770025001967; package barcode 4770025001974

### Technical specifications:

Ambient temperature -5 ... +35 °C

Storage/transport temperature -20 ... +40 °C

#### Centre plates material:

Polycarbonate plastic (scratch-proof, PC). Surface sprayed manually by Alpocryl Emallack paint, (developed in Switzerland), and laked with matt lack. Paint has high UV resistance, is flame resistant according to DIN EN13501-1 and chemically resistant according to DIN 68861/1B.

K14-345-01 dimensions 88x88mm

K14-345-02 dimensions 88x159mm

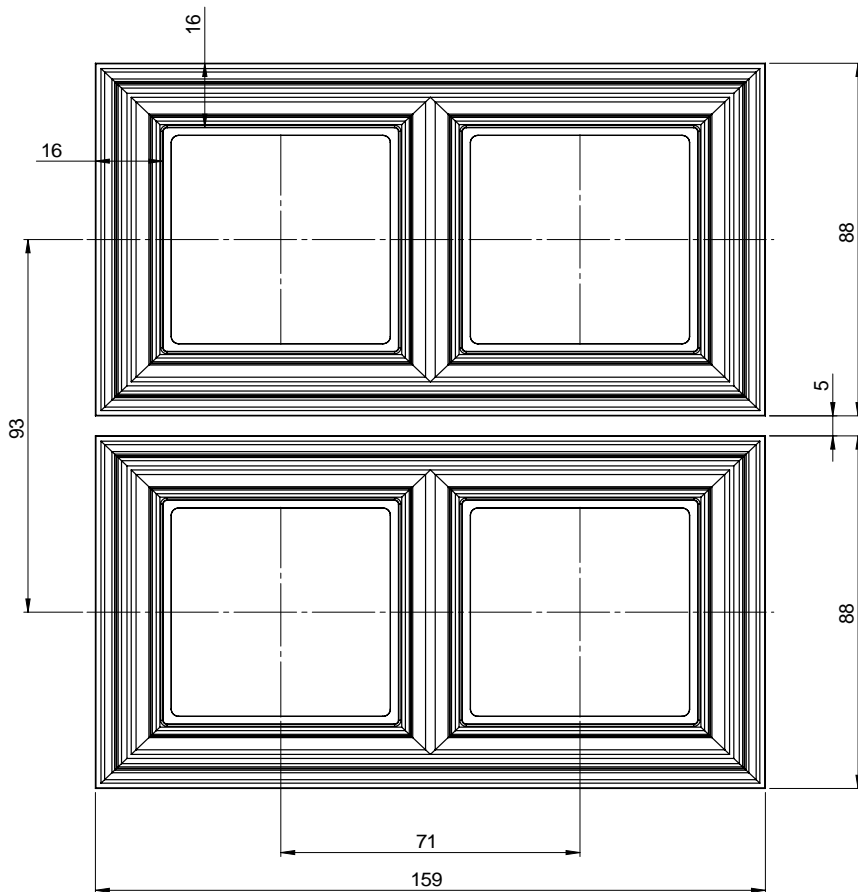
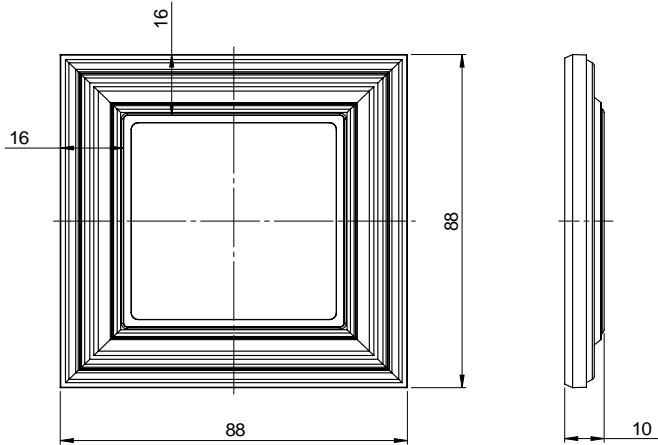
K14-345-03 dimensions 88x230mm

K14-345-04 dimensions 88x301mm

K14-345-05 dimensions 88x372mm

## Product data sheet

### 1-2 place frames dimensions, Retro serie



# Product data sheet



## 3-5 place frames dimensions, Retro serie

