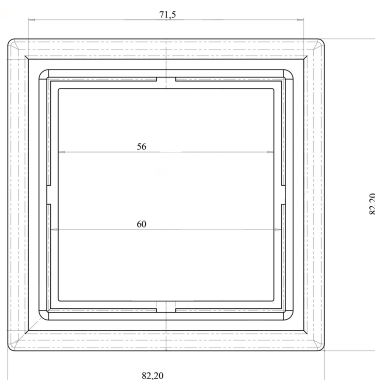


Product data sheet

1-5 place frames



Reference number

K14-445-01.M
K14-445-02.M
K14-445-03.M
K14-445-04.M
K14-445-05.M

Plastic frames, Superior line, 1-5 places

Intended use

- for horizontal and vertical installation
- polycarbonate plastic

K14-445-01, colour, EAN code:

M/WM - White matt, 4770025004319; 50pc. package barcode 4770025004326;
M/SM - Sandy matt, 4770025005613; 50pc. package barcode 4770025005620;
M/CH - Champagne, 4770025004913; 50pc. package barcode 4770025004920;
M/BM - Black matt, 4770025006238; 50pc. package barcode 4770025006245;

K14-445-02, colour, EAN code:

M/WM - White matt, 4770025004333; 25pc. package barcode 4770025004340;
M/SM - Sandy matt, 4770025005637; 25pc. package barcode 4770025005644;
M/CH - Champagne, 4770025004937; 25pc. package barcode 4770025004944;
M/BM - Black matt, 4770025006252; 25pc. package barcode 4770025006269;

K14-445-03, colour, EAN code:

M/WM - White matt, 4770025004357; 10pc. package barcode 4770025004364;
M/SM - Sandy matt, 4770025005651; 10pc. package barcode 4770025005668;
M/CH - Champagne, 4770025004951; 10pc. package barcode 4770025004968;
M/BM - Black matt, 4770025006276; 10pc. package barcode 4770025006283;

K14-445-04, colour, EAN code:

M/WM - White matt, 4770025004371; 10pc. package barcode 4770025004388;
M/SM - Sandy matt, 4770025005675; 10pc. package barcode 4770025005682;
M/CH - Champagne, 4770025004975; 10pc. package barcode 4770025004982;
M/BM - Black matt, 4770025006290; 10pc. package barcode 4770025006306;

K14-445-05, colour, EAN code:

M/WM - White matt, 4770025004395; 10pc. package barcode 4770025004401;
M/SM - Sandy matt, 4770025005699; 10pc. package barcode 4770025005705;
M/CH - Champagne, 4770025004999; 10pc. package barcode 4770025005002;
M/BM - Black matt, 4770025006313; 10pc. package barcode 4770025006320;

Technical specifications:

Ambient temperature, IP class	- 5 ... + 35 °C, IP44
Storage/transport temperature	- 20 ... + 40 °C
Material	breakproof polycarbonate (PC)

K14-445-01.M dimensions, mm 82,2 x 82,2 x 11
K14-445-02.M dimensions, mm 82,2 x 153,2 x 11
K14-445-03.M dimensions, mm 82,2 x 224,2 x 11
K14-445-04.M dimensions, mm 82,2 x 295,2 x 11
K14-445-05.M dimensions, mm 82,2 x 366,2 x 11